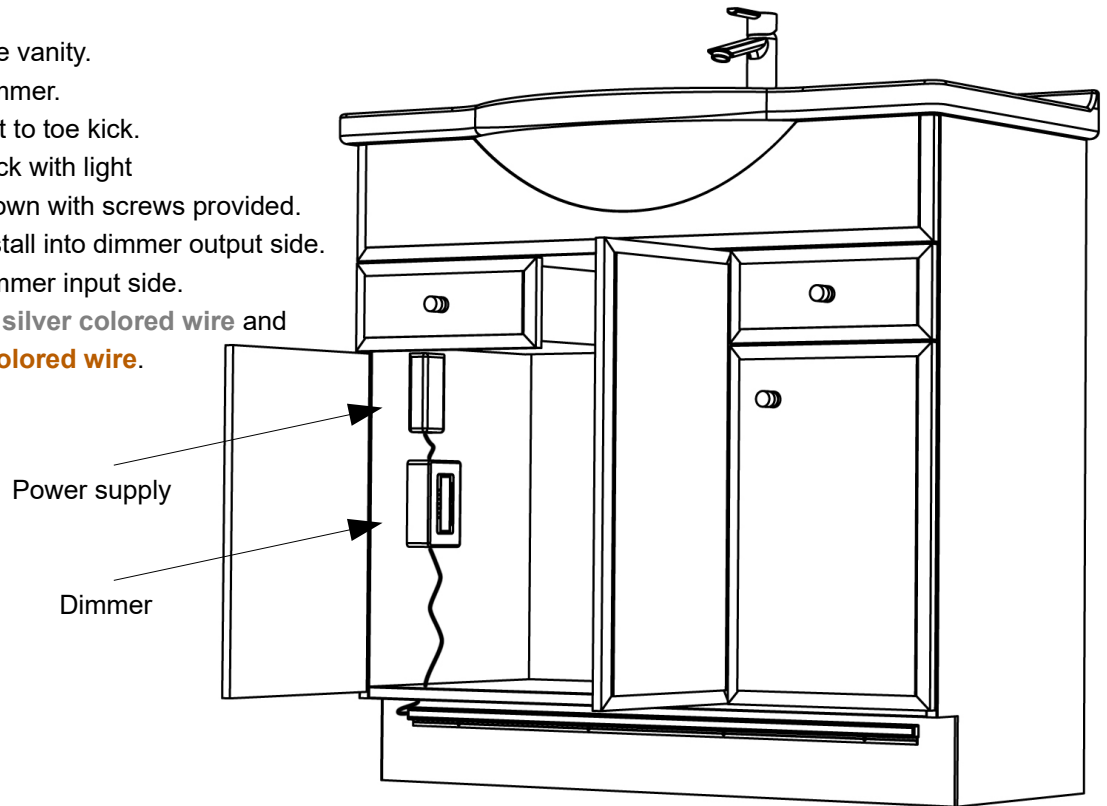


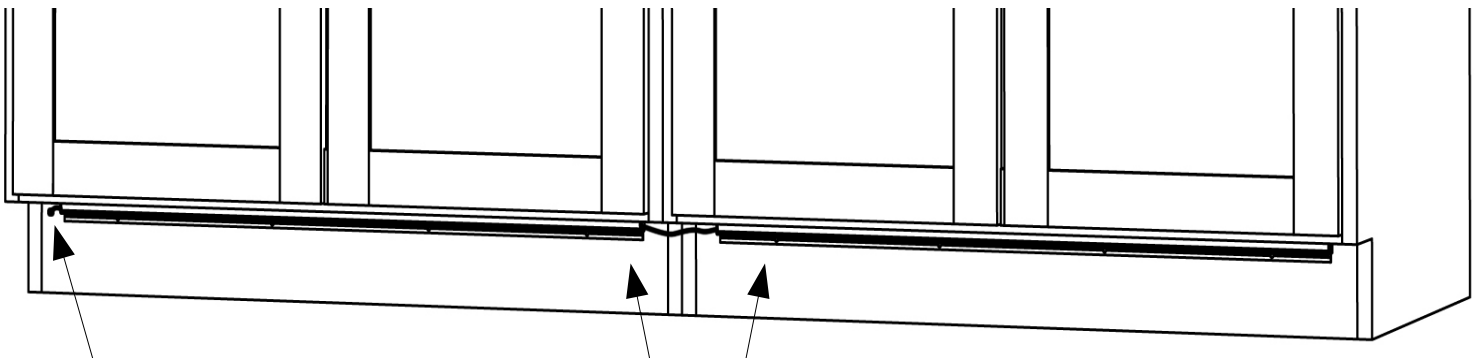
## Recommended Installation Configurations

### Bathroom Vanity Toe Kick

- Install switched duplex inside vanity.
- Mount dial dimmer or RF dimmer.
- Drill hole on inside of cabinet to toe kick.
- Mount fixture to top of toe kick with light facing out and flange side down with screws provided.
- Snake wire through hole, install into dimmer output side.
- Connect power supply to dimmer input side.
- Fixture's negative voltage is **silver colored wire** and positive voltage is **copper colored wire**.



### Kitchen Toe Kick



Switch wire.

Daisy chain multiple fixtures  
Or Low voltage home run.

- Power supply is placed in basement or base cab.
- Low voltage wire can be run to first cab and or cabs farther away.
- Mount fixture to top of toe kick with light facing out and flange side down with screws provided.
- Fixture's negative voltage is **silver colored wire** and positive voltage is **copper colored wire**.
- Drill hole from cab frame to cab frame for daisy chain wiring if multiple cabs side by side.
- Switch control is placed conveniently in kitchen and controls power supply, please reference options for dimming if desired.